

ifau  
Dresdener Str. 26  
D-10999 Berlin  
+49 (30) 27560453  
ifau@berlin.heimat.de

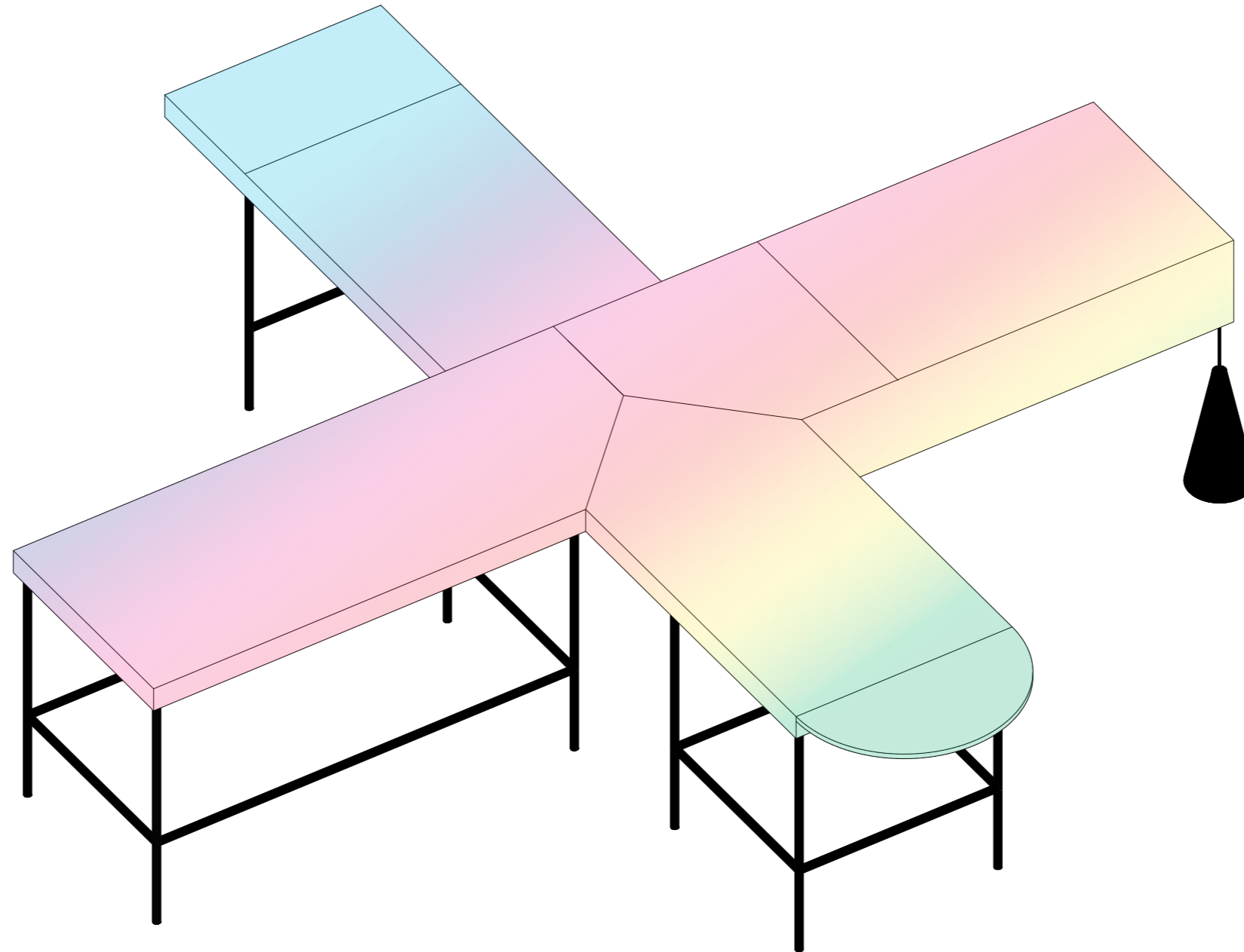
Foyer<sup>2</sup>  
Goethe-Institut Prag

07/11/2016

#### 1.0 Cross-shaped bar table

The cross-shaped bar table (450 x 450 cm, height: 110 cm) is made of 4 single tables. The 4 functionally different tables are joint by screw connections and leveled by screw threads at the bottom of the table legs.

- table top and edges are sheet steel coated (flop or chameleon coating)
- steel tube table frames coated or powder-coated
- steel (alternatively concrete) cone coated or powder-coated



Setting 1

ifau  
Dresdener Str. 26  
D-10999 Berlin  
+49 (30) 27560453  
ifau@berlin.heimat.de

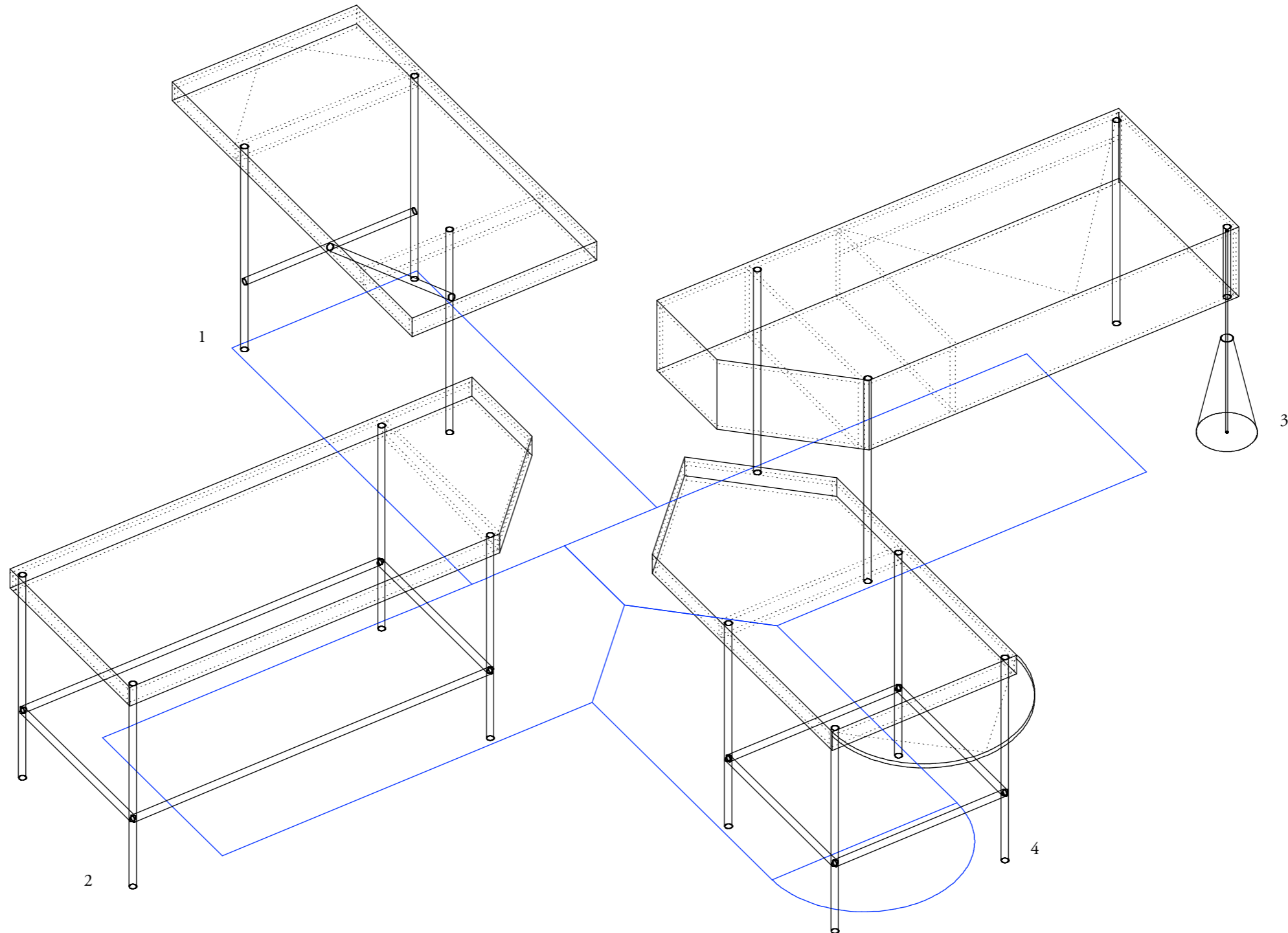
Foyer<sup>2</sup>  
Goethe-Institut Prag

07/11/2016

Axonometry  
Supports

1.1 Construction table frames

- steel tube frames (tubes  $\varnothing$  30 mm) as a rigid support for the table tops (welded joints)
- the table legs are locked by the wooden subconstruction (framework) of the table tops and additionally fixed by screws
- table top and edges are sheet steel except for the connecting faces which remain wooden (showing the frame)
- wooden framework transparently coated
- steel tube table frames coated or powder-coated
- steel (alternatively concrete) cone coated or powder-coated



Supports

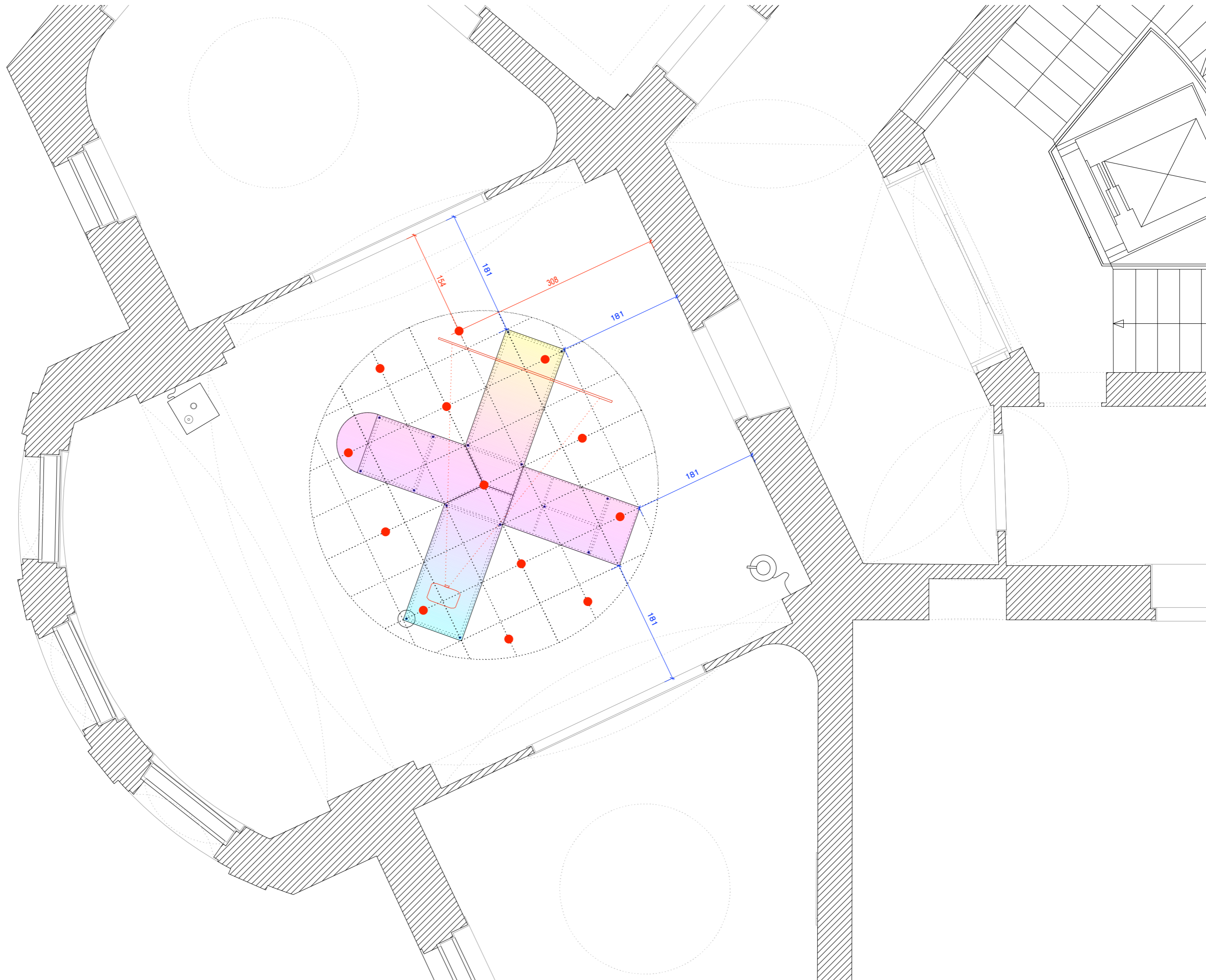
ifau  
Dresdener Str. 26  
D-10999 Berlin  
+49 (30) 27560453  
ifau@berlin.heimat.de

Foyer<sup>2</sup>  
Goethe-Institut Prag

25/11/2016

Plan  
Scale 1:20  
(A3 print)

1. Spatial positioning of the hung grid ceiling dimensioned
2. Red indicated: necessary suspension points dimensioned
3. Position of the video projector and the projection screen



ifau  
Dresdener Str. 26  
D-10999 Berlin  
+49 (30) 27560453  
ifau@berlin.heimat.de

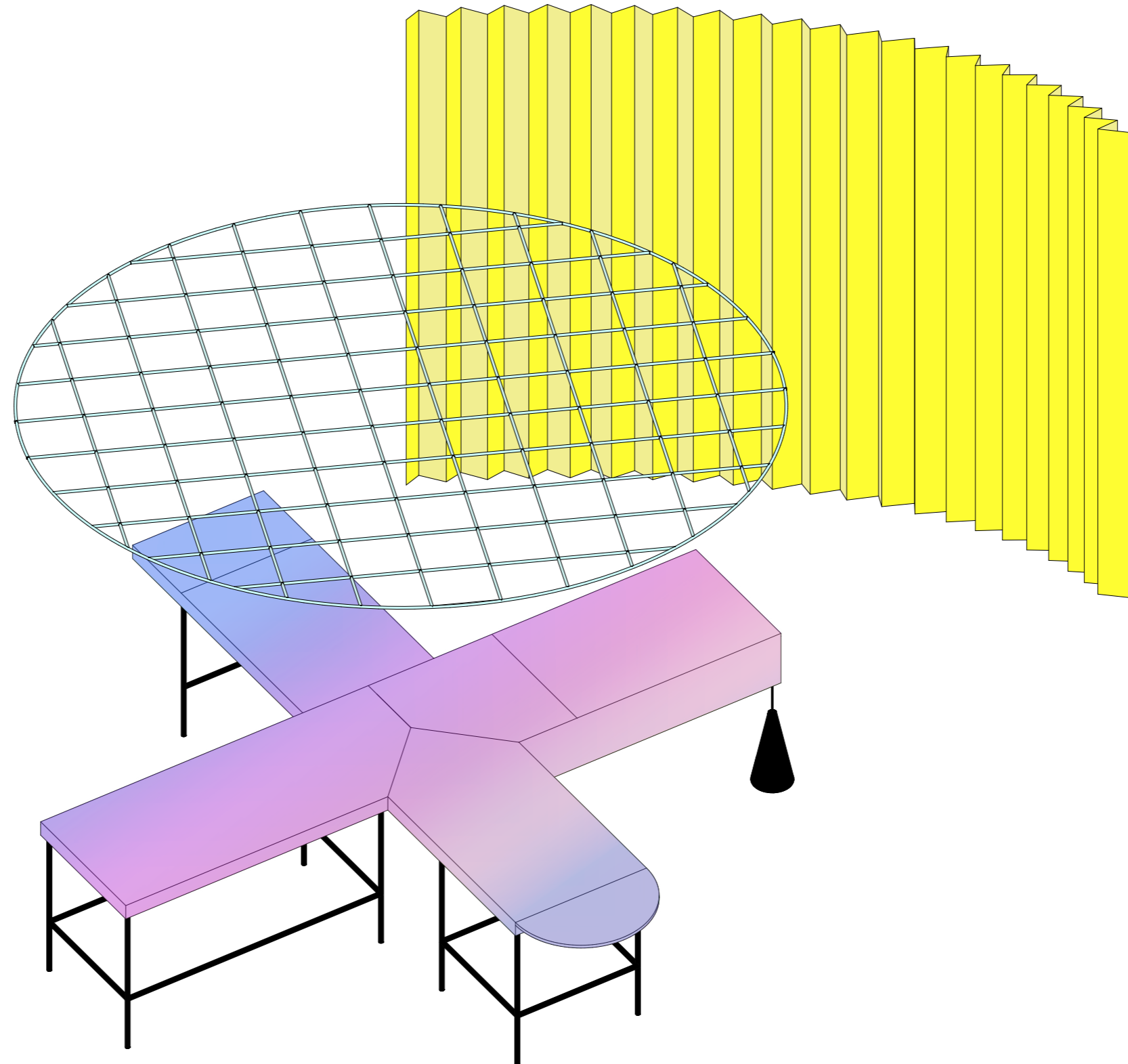
Foyer<sup>2</sup>  
Goethe-Institut Prag

07/11/2016

#### 1.0 Cross-shaped bar table

The cross-shaped bar table (450 x 450 cm, height: 110 cm) is made of 4 single tables. The 4 functionally different tables are joint by screw connections and leveled by screw threads at the bottom of the table legs.

- table top and edges are sheet steel coated (flop or chameleon coating)
- steel tube table frames coated or powder-coated
- steel (alternatively concrete) cone coated or powder-coated



Setting 1